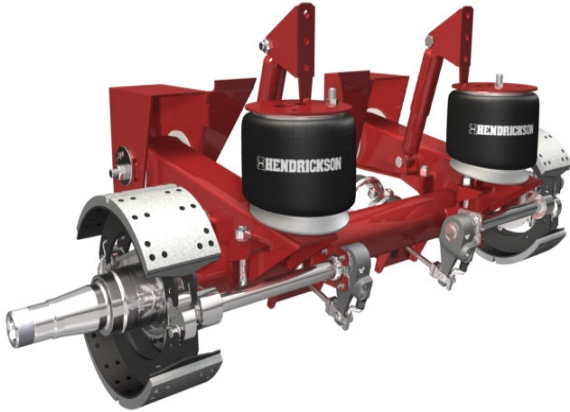




## INTRAAAX Suspension

## H PARTS LIST

No: 97114-037  
 Subject: INTRAAX AA230/AA250/AANT230  
 Date: November 2008 Revision: C



SECTION	PAGE
Explanatory Notes .....	2
How To Identify A Suspension .....	3
Intraax Suspension Identification .....	4
Current Intraax Base Models (2007) .....	5
Top Mount, Wide Bush, AA230T/AA250T .....	6
Top Mount, Narrow Bush, AANT230 .....	8
Low Ride, Wide Bush, AAL230 .....	10
16.5" Drum Brake Components .....	12
Hub Bearing Components HN Spindle .....	14
HP Hub Bearing Components .....	16
Conmet Preset HN & HP Hub Bearing Components .....	18
Slack Adjusters .....	20
Brake Chambers .....	21
Service Tools .....	22
Torque Specifications .....	23
Under Beam Lift (UBL) Service Components AAT/L .....	24
Under Beam Lift (UBL) Service Components AANT .....	25
Parts Kits – AA230/250 .....	26

*Information contained in this literature was accurate at the time of publication, Product changes may have been made after the publication date that are not reflected here*



## Explanatory Notes

Different suspension manufacturers sometimes use different terminology for suspension types and components and the following notes are intended as a guide to some of the terms used in the Hendrickson Parts Manuals.

### **Intraax:**

The Intraax suspension has the Axle passing through and welded to the suspension beams (trailing arms). U-bolts are not used and the Axle cannot be separated from the beams.

### **230 / 250 / 300:**

These numbers are a coded indication of the suspension Capacity. The actual suspension loading Capacity may vary according to specific applications and also to operating regions.

### **Parts List Quantities:**

The quantity shown in the parts list column is usually the number of items required for **one Axle**.

### **Top Mount:**

The air spring is mounted on top of the beam, usually close to the Axle (equivalent to overslung).

### **Low Ride:**

The beam drops down behind the Axle and the air spring is mounted lower than the Axle and further behind the Axle (equivalent to underslung).

### **Ride Height:**

The dimension between the Axle centre and the trailer chassis underside. This dimension is usually unique to a particular suspension model but may change dependent on the trailer application.

### **Jounce:**

Is the amount of suspension movement upwards from the ride height position, measured at the Axle, also sometimes referred to as the suspension compression.

### **Rebound:**

Is the opposite of jounce and is also sometimes referred to as extension.

### **Total Suspension Travel:**

Jounce plus Rebound, measured at the Axle.

### **High Control:**

Indicates that the suspension may have a longer drop front hanger than standard. This condition provides optimum straight line stability and is recommended for use on the lead Axle of dog trailer suspensions as well as trailer and dolly suspensions used in multi-combination vehicles.

### **Liftable:**

A liftable suspension has sufficient jounce to be lifted and still allow the non-lifted Axles' suspensions to operate without the wheel of the lifted Axle contacting the ground. A liftable suspension would normally have a minimum of 100mm of jounce.

### **ARL:**

Auxiliary Rebound Limiter. These are optional Kits which limit a suspension rebound by use of a chain system instead of just using the shock absorber.

*Information contained in this literature was accurate at the time of publication, Product changes may have been made after the publication date that are not reflected here*



**How To Identify A Suspension**

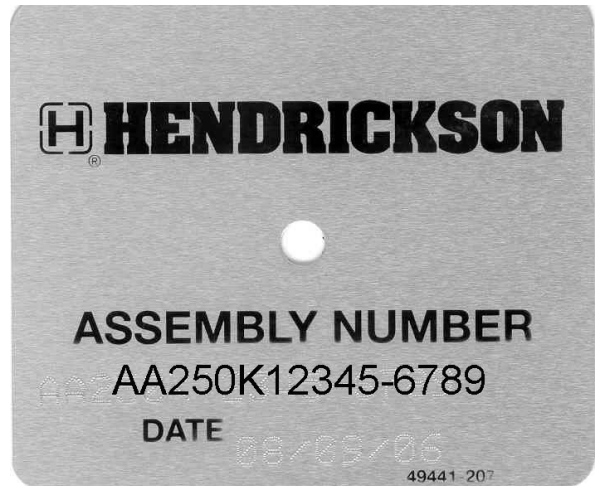
In order to assist in identifying a particular suspension, Hendrickson advise that the following steps should be taken.

**Step 1:**

Find the two identification tags on each trailing arm of the suspension (Figure 1 and Figure 2).



**Figure 1:** Model, Description and Serial Number



**Figure 2:** Specific Assembly Number which gives details on Hubs, brake, Drums, etc.

**Step 2:**

If no suspension model can be obtained by completing Step 1, refer to the following pages (pp 3 & 4) to help determine what suspension model is fitted to the trailer.

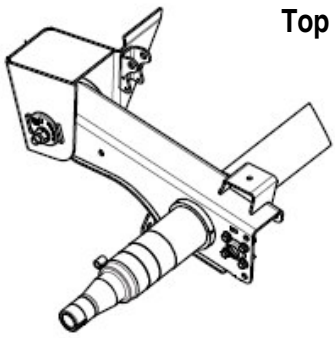
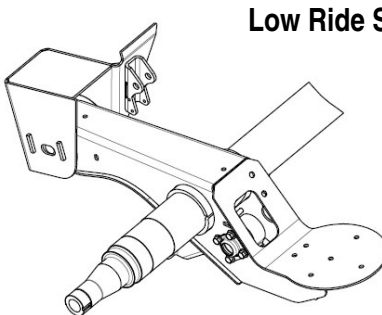
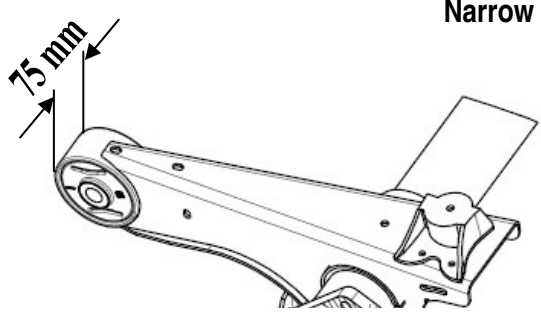
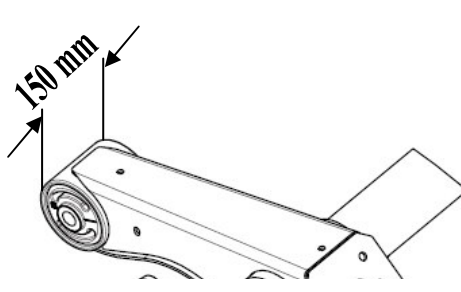

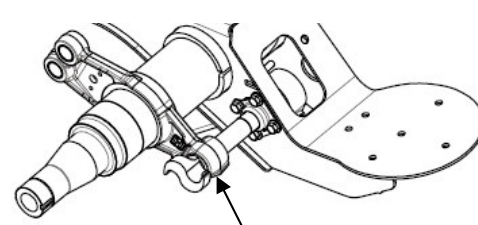

**Step 3:**

If still unable to identify the ride height, contact the trailer manufacturer and quote the VIN number of the trailer.

*Information contained in this literature was accurate at the time of publication, Product changes may have been made after the publication date that are not reflected here*



**Intraax Suspension Identification**

 <p><b>Top Mount Suspension</b></p>	 <p><b>Low Ride Suspension</b></p>
 <p><b>Narrow Bush</b></p>	 <p><b>Wide Bush</b></p>
 <p><b>HN SPINDLE REF</b></p>	 <p><b>Spider for Drum Brake</b></p>
 <p><b>HP SPINDLE REF</b></p>	<p>Images for illustration purposes only</p>

*Information contained in this literature was accurate at the time of publication, Product changes may have been made after the publication date that are not reflected here*

# INTRAAX AA230/AA250/AANT PARTS LIST

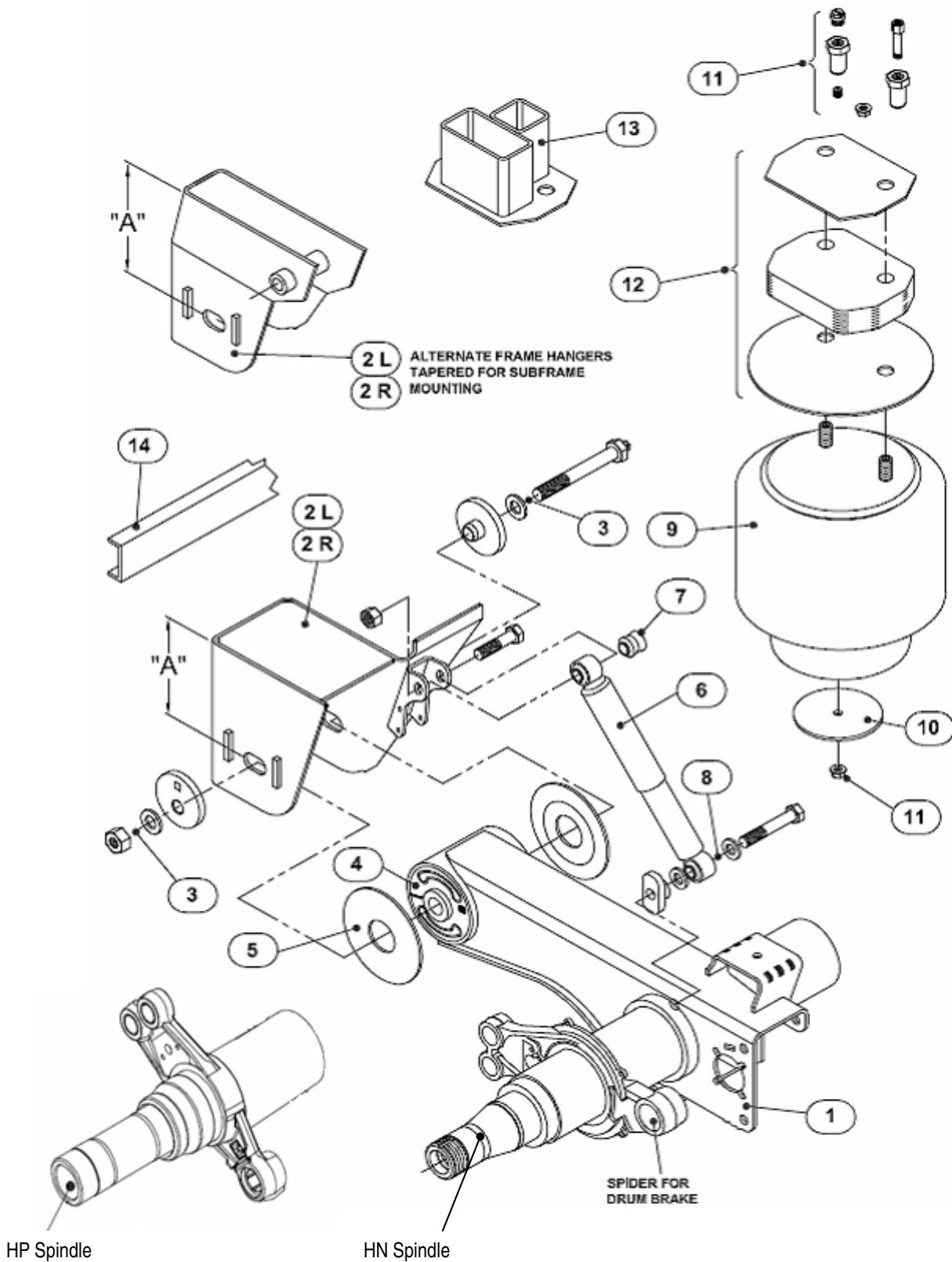


CURRENT INTRAAX BASE MODELS (2007)												
Current Model	New Model				Description					Halftraax Part Number		
ALH23	H	W	23	L	C	73" Track	HUS Parallel Spindle	Drum Brake	22.5" Wheel Wide Bush	Low Ride	98785-043	Inc. Hub and drum
ATH23	H	W	23	T	C	73" Track	HUS Parallel Spindle	Drum Brake	22.5" Wheel Wide Bush	Top Mount	98785-042	Inc. Hub and drum
AANT230HUS	H	N	23	T	C	73" Track	HUS Parallel Spindle	Drum Brake	22.5" Wheel Narrow Bush	Top Mount	98785-041	Inc. Hub and drum
AANT230	H	N	23	T	A	73" Track	HN Tapered Spindle	Drum Brake	22.5" Wheel Narrow Bush	Top Mount	E1-230AXLE.6	
AAT230	H	W	23	T	A	73" Track	HN Tapered Spindle	Drum Brake	22.5" Wheel Wide Bush	Top Mount	E1INTSUSP.1053	
AAT250	H	W	25	T	A	73" Track	HN Tapered Spindle	Drum Brake	22.5" Wheel Wide Bush	Top Mount	X1-250AXLE.3	
AAT250C	H	W	25	T	A	73" Track	HN Tapered Spindle	Drum Brake	22.5" Wheel Wide Bush	Top Mount	E1INTSUSP.1047	CAMBERED
AAL230	H	W	23	L	A	73" Track	HN Tapered Spindle	Drum Brake	22.5" Wheel Wide Bush	Low Ride	E1-AALSUSP.14	
AAT250HP	H	W	25	T	B	73" Track	HP Parallel Spindle	Drum Brake	22.5" Wheel Wide Bush	Top Mount	X1-250AXLE.2	
AAT250 71.5"	H	W	25	T	J	71.5" Track	HN Tapered Spindle	Drum Brake	22.5" Wheel Wide Bush	Top Mount	X1-250AXLE.1	
AAL250 71.5"	H	W	25	L	J	71.5" Track	HN Tapered Spindle	Drum Brake	22.5" Wheel Wide Bush	Low Ride	E1-AALSUSP.4	
AANT230 19.5"	H	N	23	T	F	73" Track	HN Tapered Spindle	Drum Brake	19.5" Wheel Narrow Bush	Top Mount	98785-015	Inc. Hub and drum
AAL230 19.5"	H	W	23	L	F	73" Track	HN Tapered Spindle	Drum Brake	19.5" Wheel Wide Bush	Low Ride	98785-018	Inc. Hub and drum
AD230	H	W	23	L	D	73" Track	HN Tapered Spindle	Disc Brake	22.5" Wheel Wide Bush	Low Ride	E1INTSUSP.1038	
AD232	H	W	23	T	D	73" Track	HN Tapered Spindle	Disc Brake	22.5" Wheel Wide Bush	Top Mount	98785-045	
AANT230 DISC	H	N	23	T	D	73" Track	HN Tapered Spindle	Disc Brake	22.5" Wheel Narrow Bush	Top Mount	E1-230AXLE-8	
AANT230 DISC 83"	H	N	23	T	G	83" Track	HN Tapered Spindle	Disc Brake	22.5" Wheel Narrow Bush	Top Mount	98785-057	
ED300	H	W	30	L	E	73" Track	HP Parallel Spindle	Drum Brake	22.5" Wheel Wide Bush	Low Ride	E1-300LSUS.12	
ED300	H	W	30	T	E	73" Track	HP Parallel Spindle	Drum Brake	22.5" Wheel Wide Bush	Top Mount	A1-AAEDTSP.6	
NEW INTRAAX BASE MODEL NUMBER EXPLANATION												
Standard	Options	Options	Options	SOC	(Specific Option Code)							
H	W	23	L	A	Description							
Hendrickson	Wide Bush	x 1,000 lbs capacity or 25 30	L for Low Ride Ride Height from 6.5" to 12" (165 - 305mm)	A	73" Track Drum Brakes HN Tapered Spindle (23/25k only)							
					Narrow Bush	B	73" Track Drum Brakes HP Parallel Spindle (25k T only)					
	C					73" Track Drum Brakes HUS Hendrickson Unitised System (23k only)						
					D	73" Track Disc Brake HN Tapered Spindle (23k only)						
					E	73" Track Drum Brakes HP Extreme Duty (30k only Ltd. Ride Heights)						
					F	73" Track Drum Brakes HN 19.5" Wheels (23k L only)						
					G	83.5"Track Disc Brakes HN Tapered Spindle (23k only)						
					H	77.5"Track Drum Brakes HN Tapered Spindle (23k only)						
					J	71.5"Track Drum Brakes HN Tapered Spindle (23k only)						
<b>Sample Base Model Number : HW 23 L A</b>												

Information contained in this literature was accurate at the time of publication, Product changes may have been made after the publication date that are not reflected here



**Top Mount, Wide Bush, AA230T/AA250T**



Information contained in this literature was accurate at the time of publication, Product changes may have been made after the publication date that are not reflected here



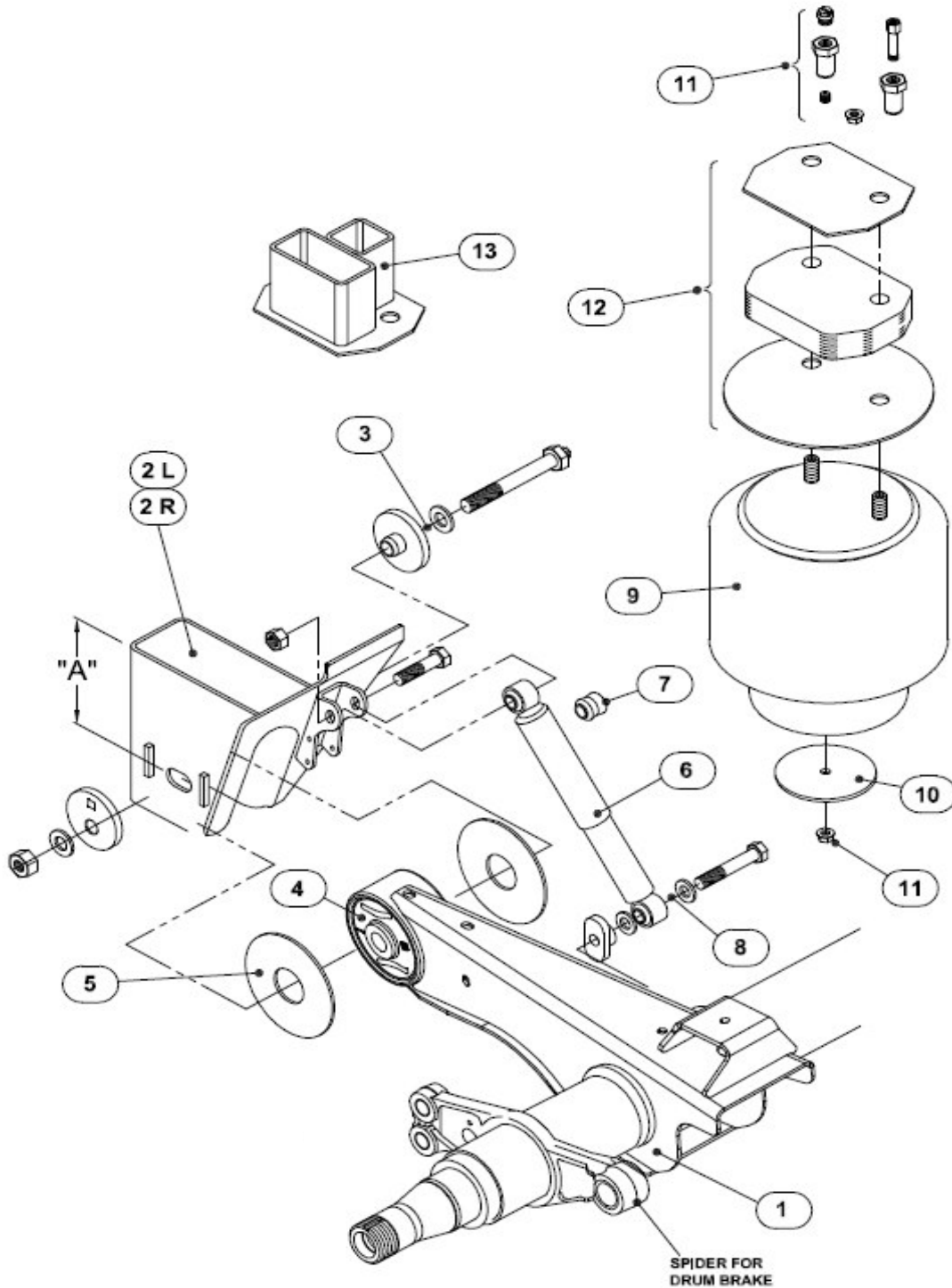
**Top Mount, Wide Bush, AA230T/AA250T**

Item	Part No	Description	Qty	Notes
1	E1INTSUSP.1053	Top mount AA230T 73" HN 16.5" Drum	1	
	E1INTSUSP.1047	Top Mount AA250T 73" HN 16.5" Drum		Cambered
	X1-250AXLE.3	Top Mount AA250T 73" HN 16.5" Drum		
	X1-250AXLE.2	Top Mount AA250T 73" HP 16.5" Drum		
	X1-250AXLE.1	Top Mount AA250T 71.5" HN 16.5" Drum		
2L	S-21028-1	Frame Bracket, LH (A = 8")	1	Use with 343 (13.5" ) & 381 (15") ride height
2R	S-21028-2	Frame Bracket, RH (A = 8")	1	
2L	S-21082-1	Frame Bracket, LH (A = 10")	1	Use with 406/432 (16" & 17") ride height. Also use for "high control" condition with 343 & 381 (13.5" & 15") ride height
2R	S-21082-2	Frame Bracket, RH (A = 10")	1	
2L	S-21083-1	Frame Bracket, LH (A = 12")	1	Use with 483 (19") Ride Height
2R	S-21083-2	Frame Bracket, RH (A = 12")	1	
3	S-24679	Pivot Bolt Kit for Quik-Align	2	See Kit listing – Page 26
4	S-24691	Tri Functional Bushing Kit	2	See Kit listing – Page 26
	A-14011	Lube pack for Bush replacement	2	Included in Kit S-24691 but also available separately. See P.25
5	S-21099-4P	Wear Pad (Thrust Washer)	1	(4 per Kit) See Kit Listing – Page 26
6	S-21699	Shock Absorber	2	Road Friendly
	S-20899	Shock Absorber	2	Standard (Not Road Friendly Compliant)
7	98941-002	Bush – Shock Absorber	4	Plastic Dust Shield <b>See tech pub - 97117-160</b>
	98941-005	Bush – Shock Absorber	4	Steel Dust Shield - Straight Eye <b>See tech pub - 97117-160</b>
	98941-008	Sleeve – Shock Absorber Bush	4	Steel Dust Shield - Straight Eye <b>See tech pub - 97117-160</b>
	98941-006-8P	Bush – Shock Absorber	1	Steel Dust Shield – Tapered Eye <b>(One Axle set) See tech pub - 97117-160</b>
8	S-24049	Bolt Kit, Shock Absorber	1	See Kit listing – Page 26
9	C-20901	Air Spring	2	
10	B-21786	Disc Plate, Air Spring Lower	2	
11	S-22630	Fastener Kit, Air Spring	1	For 381 (15" ) ride height
	S-22631	Fastener Kit, Air Spring	1	For 406 (16") r/ht & jounce limited 381 (15")
	S-22632	Fastener Kit, Air Spring	1	For 17" Ride height
	S-22619	Fastener Kit, Air Spring	1	For 19" Ride Height
12	B-20905	Top Plate, Steel	2	All except 19" Ride Height
	S-23294	Air Spring Flex Plate	2	<i>Not Required on AAT230</i>
	S-22510-1	Spacer, Plastic, 1-1/8" (29mm)	2	For 381 (15") ride height
	S-22510-2	Spacer, Plastic, 1-7/8" (48mm)	2	For 406 (16") r/ht & jounce limited 381 (15")
	S-22510-3	Spacer, Plastic, 3-1/8" (80mm)	2	For 432 (17") ride height
Note - no item 12 spacer used on 343 (13.5")				
13	S-22302-6	Bracket Spacer, 5-5/16" (weld on)	2	For 483 (19") ride Height
14	98870-016	Channel - Frame Bracket	1	

*Information contained in this literature was accurate at the time of publication, Product changes may have been made after the publication date that are not reflected here*



**Top Mount, Narrow Bush, AANT230**



Images for illustration purposes only

Information contained in this literature was accurate at the time of publication, Product changes may have been made after the publication date that are not reflected here





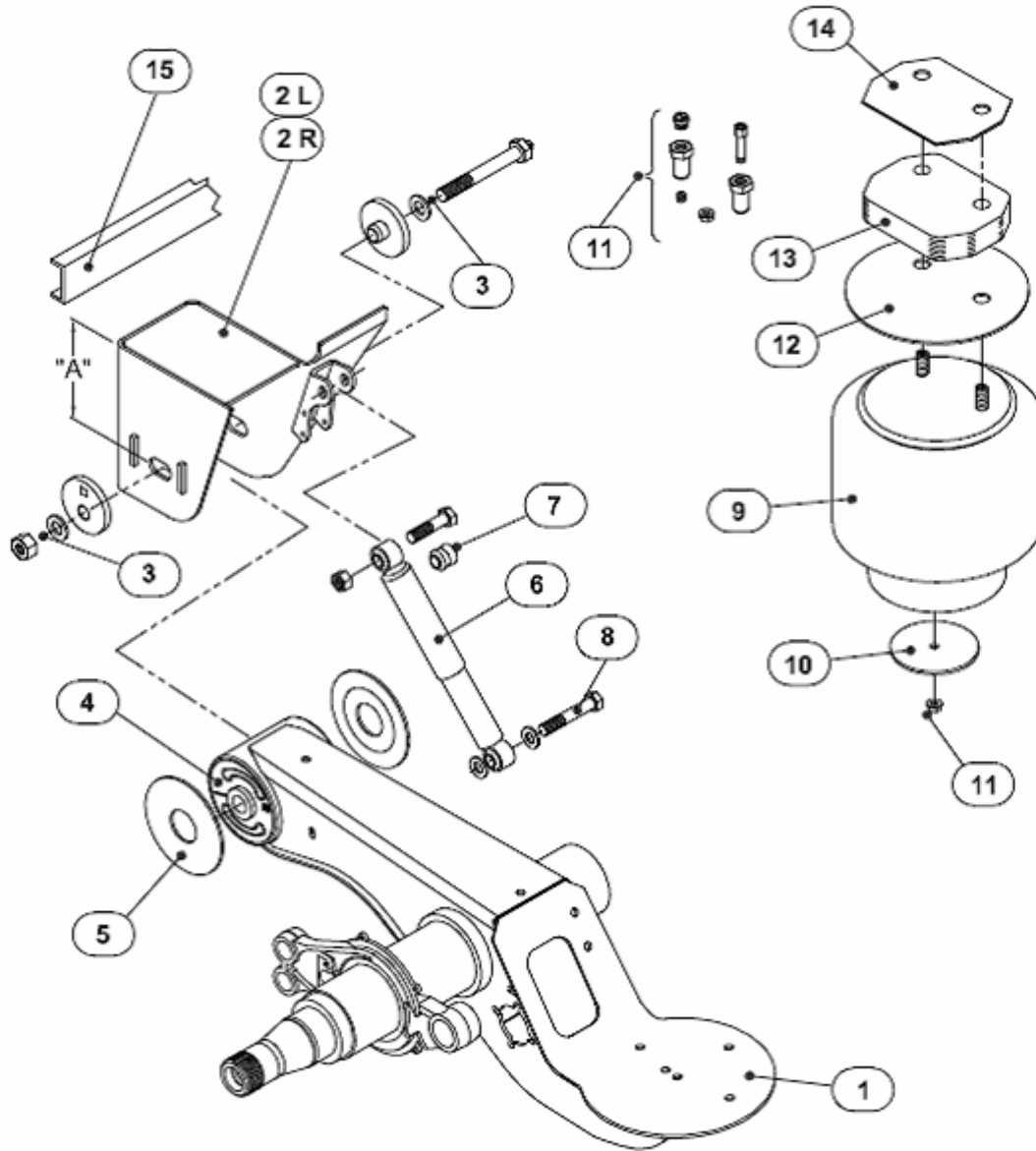
**Top Mount, Narrow Bush, AANT230**

Item	Part No	Description	Qty	Notes
1	E1-230AXLE.6	AANT230, 73" Track, HN Suit 16.5" Drum	1	
2L	S-28400-1L	Frame Bracket, LH (A = 8")	1	Use with 343 (13.5") & 382 (15") Ride Height
2R	S-28400-1R	Frame Bracket, RH (A = 8")	1	
3	S-24705	Pivot Bolt Kit for Quik-Align	2	See Kit listing – Page 26
4	S-26321	Tri Functional Bushing Kit	1	(One Per Axle) See Kit listing – Page 26
	A-14011	Lube pack for Bush replacement	2	Included in Kit S-24691 but also available separately. See P.25
5	S-26807-4P	Wear Pad (Thrust Washer) Kit	1	(4 per Kit) See Kit listing – Page 26
6	S-21699	Shock Absorber	2	Road friendly
	S-20899	Shock Absorber	2	Standard (Not road friendly compliant)
7	98941-002	Bush – Shock Absorber	4	Plastic Dust Shield See tech pub - 97117-160
	98941-005	Bush – Shock Absorber	4	Steel Dust Shield - Straight Eye See tech pub - 97117-160
	98941-008	Sleeve – Shock Absorber Bush	4	Steel Dust Shield - Straight Eye See tech pub - 97117-160
	98941-006-8P	Bush – Shock Absorber	1	Steel Dust Shield – Tapered Eye (One Axle set) See tech pub - 97117-160
8	S-24049	Bolt Kit, Shock Absorber	1	See Kit listing – Page 26
9	S-21800	Air Spring	2	
10	B-21786	Disc Plate, Air Spring Lower	2	
11	S-22630	Fastener Kit, Air Spring	1	
12	B-20905	Top Plate, Steel	2	All except 483 (19") ride height
	S-23294	Air Spring Flex Plate	2	Not Required on AANT230
13	S-22510-1	Spacer, Plastic, 1-1/8" (29mm)	2	For 381 (15") ride height
14	98870-016	Channel - Frame Bracket	1	

*Information contained in this literature was accurate at the time of publication, Product changes may have been made after the publication date that are not reflected here*



**Low Ride, Wide Bush, AAL230**



Images for illustration purposes only

*Information contained in this literature was accurate at the time of publication, Product changes may have been made after the publication date that are not reflected here*



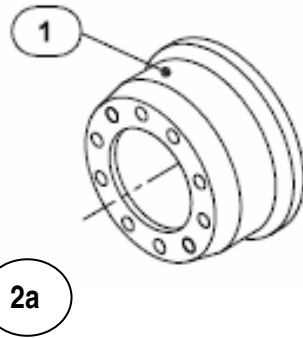
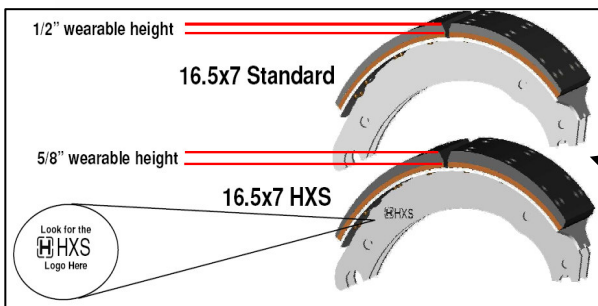
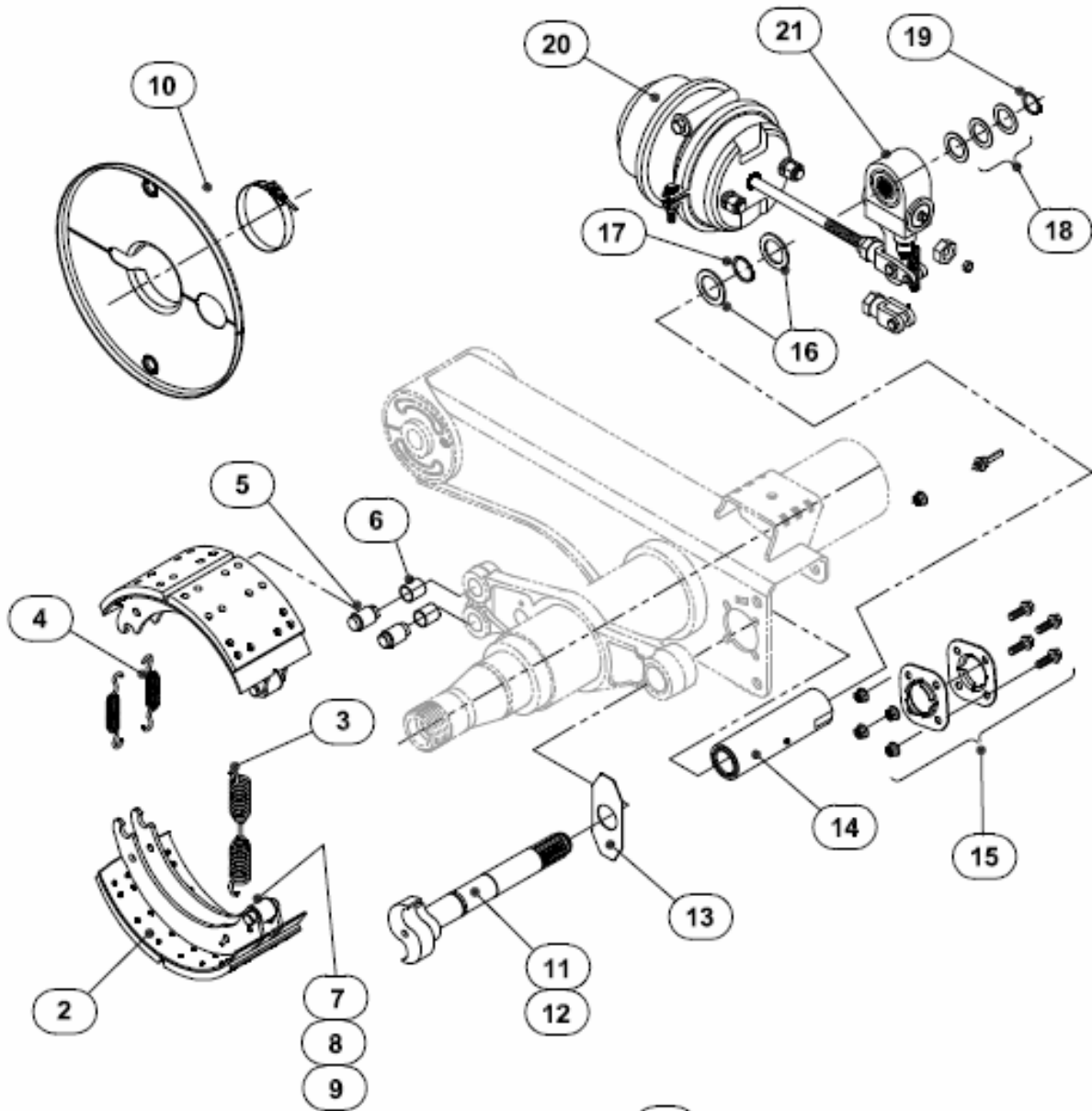
**Low Ride, Wide Bush, AAL230**

Item	Part No	Description	Qty	Notes
1	E1-AALSUSP.14	AA230L, 73" Track,HN, 16.5" Drum	1	Halftraax
	E1-AALSUSP.4	AA230L, 71.5" Track,HN, 16.5" Drum		
2L	98938-014	Frame Bracket, LH (A = 114 <4.5">)	1	Use with 165 (6.5") 191 (7.5") Ride Height
2R	98938-015	Frame Bracket, RH (A = 114 <4.5">)	1	
2L	98938-016	Frame Bracket, LH (A = 114 <4.5">)	1	Use with 305 (12") Ride Height
2R	98938-017	Frame Bracket, RH (A = 114 <4.5">)	1	
2L	98938-018	Frame Bracket, LH (A = 203 <8">)	1	Use with 305 (12") Ride Height
2R	98938-019	Frame Bracket, RH (A = 203 <8">)	1	
3	S-24679	Pivot Bolt Kit for Quik-Align	2	See Kit listing – Page 26
4	S-24691	Tri Functional Bushing Kit	2	See Kit listing – Page 26
	A-14011	Lube pack for Bush replacement	2	Included in Kit S-24691 but also available separately. See P.25
5	S-21099-4P	Wear Pad (Thrust Washer) Kit	1	(4 per Kit) See Kit listing – Page 26
6	S-25436	Shock Absorber	2	Use with 165 (6.5") 91 (7.5") 229(9") R/ht
	S-21699	Shock Absorber	2	Use with 305 (12") Ride Height
7	98941-002	Bush – Shock Absorber	4	Plastic Dust Shield See tech pub - 97117-160
	98941-005	Bush – Shock Absorber	4	Steel Dust Shield - Straight Eye See tech pub - 97117-160
	98941-008	Sleeve – Shock Absorber Bush	4	Steel Dust Shield - Straight Eye See tech pub - 97117-160
	98941-006-8P	Bush – Shock Absorber	1	Steel Dust Shield – Tapered Eye (One Axle set) See tech pub - 97117-160
8	S-24757	Bolt Kit, Shock Absorber	1	See Kit listing – Page 26
9	C-24721	Air Spring	2	Use with 165 (6.5") 191 (7.5") Ride Height
	S-23611	Air Spring	2	Use with 229 (9") Ride Height
	S-23612	Air Spring	2	Use with 305 (12") Ride Height
10	B-21786	Disc Plate, Air Spring Lower	2	
11	S-22619	Fastener Kit, Air Spring	1	Use with 165 (6.5") 191 (7.5") 229 (9") r/h
	B-22630	Fastener Kit, Air Spring	1	Use with 305 (12") ride height
	B-22631	Fastener Kit, Air Spring	1	Use with limited jounce 229 (9") & 305 (12") ride height
12	S-23294	Plate to Chassis	2	
13	S-22510-1	Spacer, Plastic, 1-1/2" (38mm)	2	Use with 305(12") ride height
	S-22510-2	Spacer, Plastic, 1-7/8" (48mm)	2	Use with limited jounce 229 (9") & 305 (12") ride height
14	B-20905	Top Plate, Steel	2	All except 483 (19") ride height
15	98870-016	Channel - Frame Bracket	1	

*Information contained in this literature was accurate at the time of publication, Product changes may have been made after the publication date that are not reflected here*



**16.5" Drum Brake Components**



Images for illustration purposes only

Information contained in this literature was accurate at the time of publication, Product changes may have been made after the publication date that are not reflected here



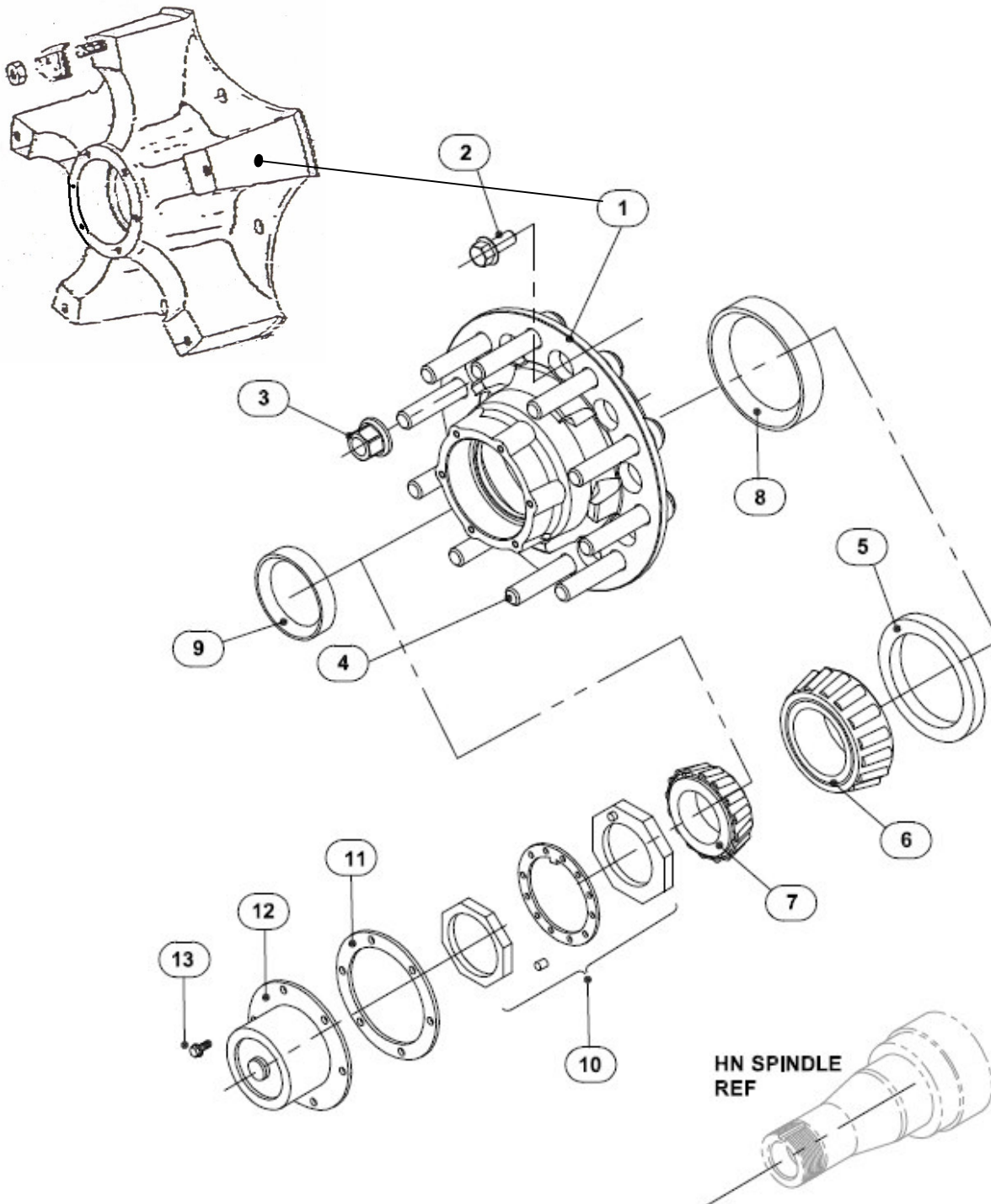
**16.5" Drum Brake Components**

Item	Part No	Description	Qty	Notes
1	98815-001	Brake Drum 7" 10 stud 285PCD	2	Centrifuse Drum
	98815-005	Brake Drum 7" 10 stud 285PCD	2	Cast Drum
	98815-006	Brake Drum 7" 10 stud 335PCD	2	Cast Drum
	98815-009	Brake Drum 8 5/8" 10 stud 285PCD	2	Cast Drum
	98815-010	Brake Drum 8 5/8" 10 stud 285PCD	2	Centrifuse Drum
	98815-012	Brake Drum 8 5/8" 10 stud 335PCD	2	Cast Drum
	98815-008	Brake Drum 7" Suit Spider Hub	2	Cast Drum
2	S-21114-1	Brake Shoe Assembly Standard 7"	4	
	S-22730-1	Brake Shoe Assy HXS 7"	4	*See picture 2a
	S-23533-1	Brake Shoe Assembly WXS wide 8 5/8"	4	
	98606-015	Brake Shoe Kit HXS 7"	2	One wheel set including return springs
	98881-006	Brake Shoe Kit HXS wide 8 5/8"	2	One wheel set including return springs
	98606-018	HXS Lining Kit 7"	1	*See picture 2a
	97017-005	HXS Lining Kit 8 5/8"	1	
3	B-20692	Spring – Brake Shoe Return	2	Black – Standard Brake
	S-23439	Spring – Brake Shoe Return	2	Orange – 7" & 8 5/8" HXS Brake Only
4	B-20693	Spring - Anchor Pin Side	2	Standard & HXS
5	A-20689	Anchor Pin	4	
6	S-20695	Bush - Anchor Pin	4	
7	A-20690	Roller	4	
8	S-27210	Retainer	4	
9	A-20694	Spring Hook	4	
10	S-28500-1650	Backing Plate & clip	2	
10	S-28501-500	Grommet Kit	1	
11	S-24636-1L	Camshaft - LH	1	
12	S-24636-1R	Camshaft - RH	1	
13	S-23413A	Outer cam Washer	2	
14	S-28890	Cam Enclosure Tube - Kit	2	includes items 14 & 15
15	S-28547	Kit Cam Tube Clamp Plate	2	
16	A-20822	Shim Washer - Camshaft Outer	4	
17	A-20808	Circlip	2	
18	A-20812	Washer - Camshaft Inner	6	
19	A-20811	Circlip – Camshaft Inner	2	
20	-	Brake Chamber	2	Page 21
21	-	Slack Adjuster	2	Page 20

*Information contained in this literature was accurate at the time of publication, Product changes may have been made after the publication date that are not reflected here*



**Hub Bearing Components HN Spindle**



Images for illustration purposes only

Information contained in this literature was accurate at the time of publication, Product changes may have been made after the publication date that are not reflected here



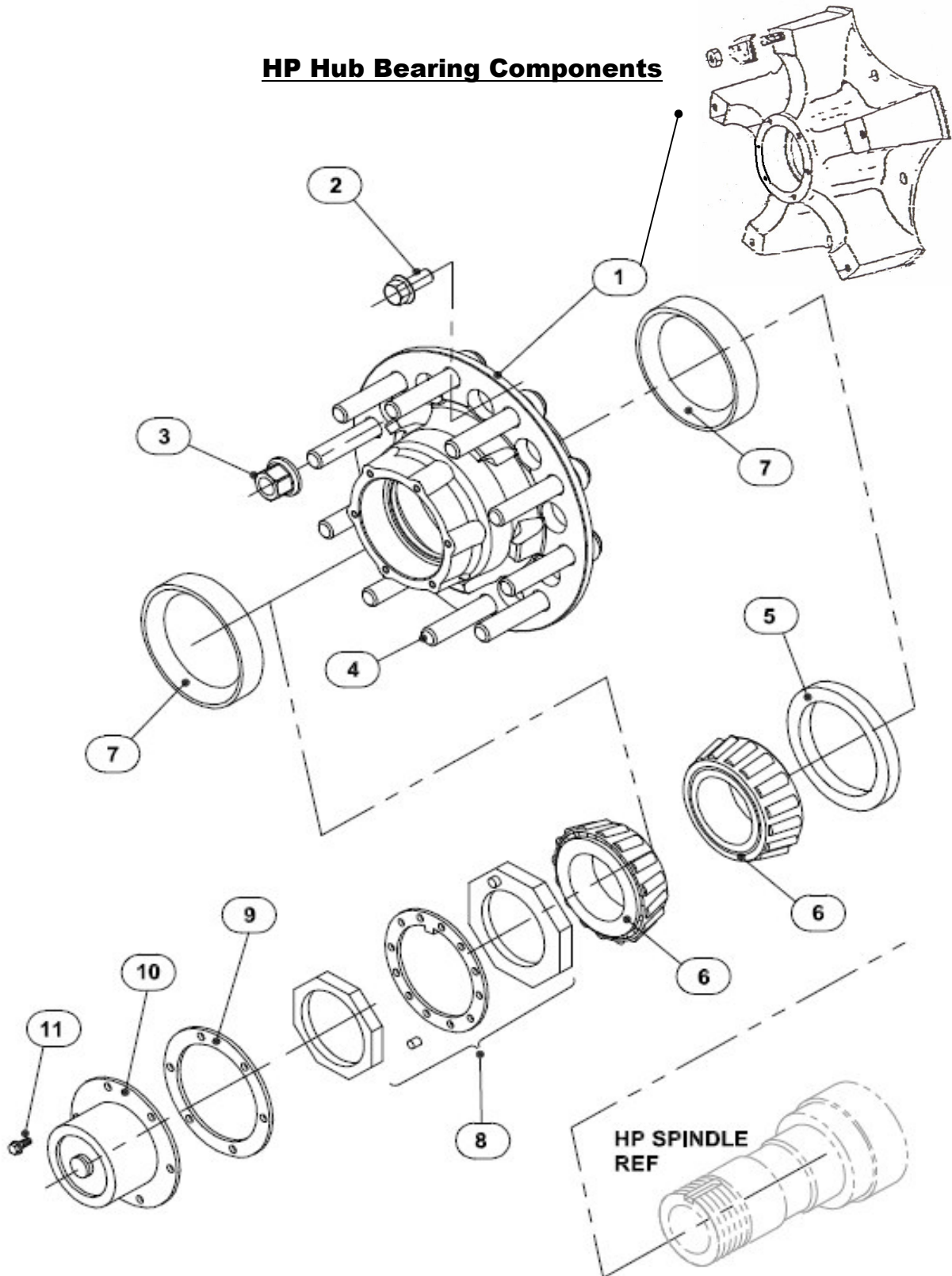
**Hub Bearing Components HN**

Item	Part No	Description	Qty	Notes
1	98818-002	Wheel Hub HN Conmet Alloy 335PCD	2	
	98818-003	Wheel Hub HN Conmet Alloy 285PCD	2	
	98818-004	Wheel Hub HN Cast Steel 335PCD	2	
	98818-008	Wheel Hub HN Conmet Alloy 285PCD with ABS	2	
	98818-018	Wheel Hub HN Conmet Alloy 335PCD with ABS	2	
	98818-020	Wheel Hub HN Cast Steel 285PCD	2	
	98792-005	Wheel Hub & Drum Assy HN Cast Spider 5 Spoke	2	
	98792-006	Wheel Hub & Drum Assy HN Cast Spider 5 Spoke with ABS	2	
	98801-011	Wheel Hub & Drum Assy HN Cast Spider 6 Spoke	2	Not Shown
2	N/A	Hub Bolt		Disc Brake Only
3	98817-001	Wheel Nut Standard	20	
	98817-005	Wheel Nut Long for Steel wheels/long stud	20	
4	98900-005	Stud - Long - Iron Hub	20	
	98900-006	Stud - Short - Iron Hub	20	
	98900-001	Stud - Short - Alloy Hub	20	
	98900-002	Stud - Long - Alloy Hub	20	
5	98794-001	Seal	2	
6	98799-004	Bearing Cone Inner (Grease Packed)	2	
7	98799-003	Bearing Cone Outer (Grease Packed)	2	
8	98828-002	Bearing Cup Inner	2	
9	98828-001	Bearing Cup Outer	2	
10	A-20492	Nut Kit - HN spindle	2	
	A-1985	Nut - Inner HN	2	
	A-20493	Washer - HN	2	
	A-1986	Nut - Outer - HN	2	
	SA-2800-6	Set Screw	2	
	98994-002	One Piece Axle Nut system	2	
11	98795-001	Gasket	2	
12	98846-001	Hub Cap Cast - 'H' Logo	2	
	98796-002	Hub Cap - Oil	2	
	98796-004	Hub Cap - Conmet Preset	2	
13	98879-004	Bolt Kit - Hub Cap	2	
	98814-006	ABS Pole Ring Iron Hub 160mm ID	2	Suits HN & HP

*Information contained in this literature was accurate at the time of publication, Product changes may have been made after the publication date that are not reflected here*



**HP Hub Bearing Components**



Images for illustration purposes only

Information contained in this literature was accurate at the time of publication, Product changes may have been made after the publication date that are not reflected here





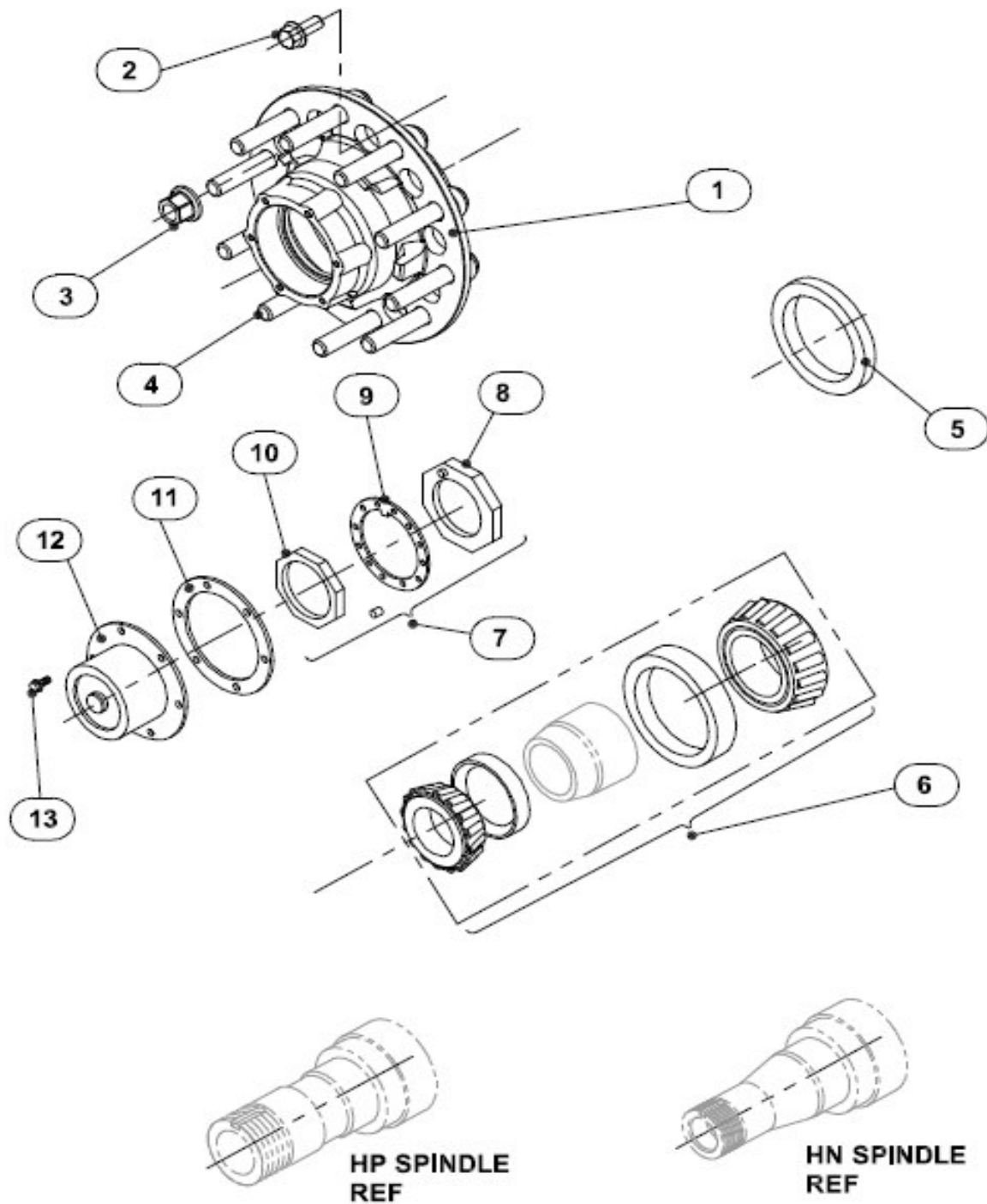
**HP Hub Bearing Components**

Item	Part No	Description	Qty	Notes
1	98818-010	Wheel Hub HP Cast Steel 285PCD	2	
	98792-007	Wheel Hub & Drum Assy HP Cast Spider 5 Spoke	2	
	98792-008	Wheel Hub & Drum Assy HP Cast Spider 5 Spoke with ABS	2	
	98897-004	Wheel Hub HP Conmet Alloy 285PCD	2	
2	N/A	Hub Bolt		Disc Brake Only
3	98817-001	Wheel Nut Standard	20	
	98817-005	Wheel Nut Long for Steel wheels/long stud	20	
4	98900-005	Stud - Long - Iron Hub	20	
	98900-006	Stud - Short - Iron Hub	20	
	98900-001	Stud - Short - Alloy Hub	20	
	98900-002	Stud - Long - Alloy Hub	20	
5	98794-002	Seal	2	Stemco
6	98799-005	Bearing Cone Inner & Outer (Grease Packed)	4	
	98799-002	Bearing Cone Inner & Outer (Dry - no Grease)	4	
7	NSS	Bearing Cup Inner & Outer	2	
8	A-20475	Nut Kit - HP spindle	2	
9	98795-002	Gasket (Bolt-On Hub Cap)	2	
10	98846-005	Hub Cap - Screw-On	2	
	98846-012	Hub Cap - Bolt-On	2	
11	98879-004	Bolt & Washer - Hub Cap	12	
	98814-006	ABS Pole Ring Iron Hub 160mm ID	2	Suits HN & HP

*Information contained in this literature was accurate at the time of publication, Product changes may have been made after the publication date that are not reflected here*



**Conmet Preset HN & HP Hub Bearing Components**



*Information contained in this literature was accurate at the time of publication, Product changes may have been made after the publication date that are not reflected here*



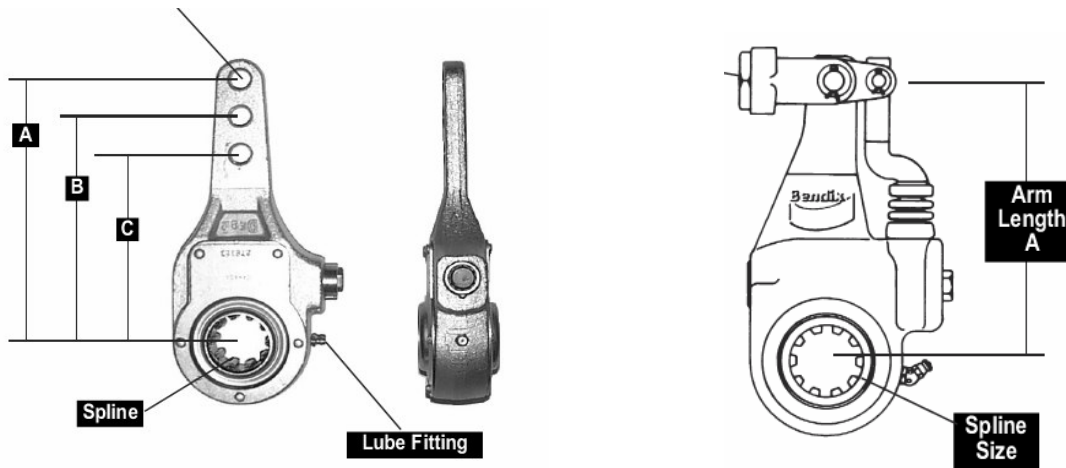
**Conmet Preset HN & HP Hub Bearing Components**

Item	Part No	Description	Qty	Notes
1	S-24749-2	Hub HN Conmet Alloy Preset 285PCD with ABS	2	
	S-25551-2	Hub HP Conmet Alloy Preset 285PCD with ABS	2	
2	N/A	Hub Bolt		Disc Brake Only
3	98817-001	Wheel Nut Standard	20	
	98817-005	Wheel Nut Long Stud Steel Wheels	20	
4	98900-002	Wheel Stud	20	
5	98794-006	Seal HN	2	HN Assembly only
6	97098-002	Bearing Rebuild Kit HN Spindle – Includes Spacer	2	
7	A-20492	Nut Kit - HN spindle	2	
8	A-1985	Nut - Inner HN	2	
9	A-20493	Washer - HN	2	
10	A-1986	Nut - Outer - HN	2	
11	98795-001	Gasket HN	2	
12	98846-011	Hub Cap HN	2	
13	98879-004	Bolt & Washer - Hub Cap	12	
5	98794-002	Seal HP	2	
6	97098-003	Bearing Rebuild Kit HP Spindle – Includes Spacer	2	
7	S-20475	Nut Kit - HP spindle	2	
8	NSS	Nut - Inner HP	2	
9	NSS	Washer - HP	2	
10	NSS	Nut - Outer - HP	2	
11	98795-002	Gasket HP	2	
12	98846-013	Hub Cap HP	2	
13	98879-004	Bolt & Washer - Hub Cap	12	
	98814-003	ABS Pulse Ring Conmet Alloy Hub 184.15mm ID	2	HN & HP

Information contained in this literature was accurate at the time of publication, Product changes may have been made after the publication date that are not reflected here



**Slack Adjusters**



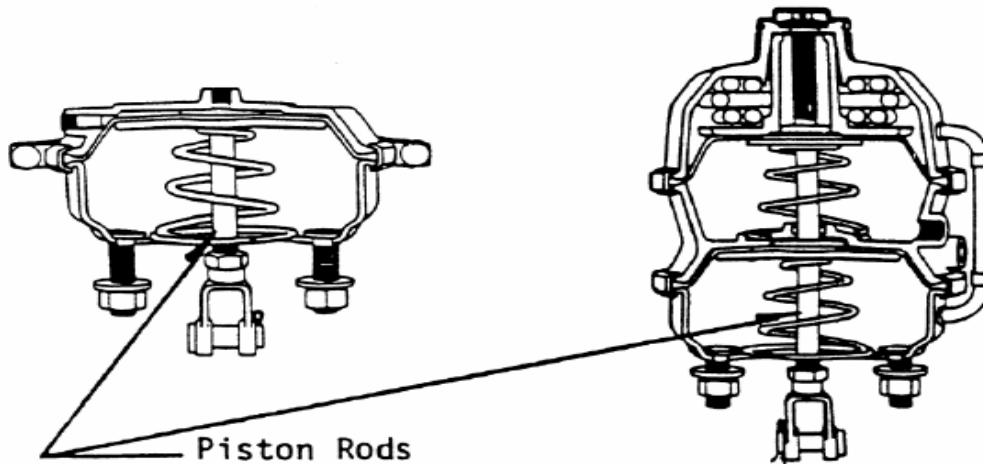
Item	Part No	Description	Qty	Notes
	98834-009	Auto Slack Adjuster - 28 Spline	2	Brunner 5.5" & 6.5"
	98834-013	Auto Slack Adjuster - 28 Spline	2	Brunner 5" & 6"
	S-28566	Auto Slack Adjuster - 28 Spline	2	Haldex 5.5"
	S-28568	Auto Slack Adjuster - 28 Spline	2	Haldex 6"
	98834-005	Auto Slack Adjuster - 28 Spline	2	Gunite 6"
	S-24596	Stud	2	For use with Haldex Slack Adjuster
	S-24597	Nut	2	For Use with Haldex Slack Adjuster
	98834-006	Auto Slack Adjuster - 28 Spline	2	Gunite 5.5"
	98834-004	Manual Slack Adjuster - 28 Spline	2	Brunner 5" 6" 7"
	98834-008	Manual Slack Adjuster - 28 Spline	2	Brunner 5.5" 6.5"

Images for illustration purposes only

Information contained in this literature was accurate at the time of publication, Product changes may have been made after the publication date that are not reflected here



**Brake Chambers**



Item	Part No	Description	Qty	Notes
	98832-001	Spring Brake Chamber Type 24/30	2	10" Push Rod Drum Brake
	98832-002	Spring Brake Chamber Type 30/30	2	10" Push Rod Drum Brake
	98832-005	Brake Chamber Type 24	2	8" Push Rod with 2" clevis Drum Brake
	98832-006	Brake Chamber Type 30	2	10" Push Rod Drum Brake
	98870-001	Clevis 50mm extended	2	For 8" Push Rod Drum Brake

Images for illustration purposes only

*Information contained in this literature was accurate at the time of publication, Product changes may have been made after the publication date that are not reflected here*



**Service Tools**

**RIDE HEIGHT GAUGES**



**PART NO S-23442**  
Use to measure ride heights from 13½-inches to 19-inches on any trailer air-ride suspension using 5-inch round or square Axles.



**PART NO S-23445**  
Use to measure ride heights from 6½-inches to 14-inches on any trailer air-ride suspension using 5-inch round or square Axles.

**TRI-FUNCTIONAL® BUSHING TOOLS**



**PART NO S-21307A**  
Use to remove and replace pivot Bushings on all HT, INTRAAX® and wide Bush applications.

**PART NO S-24736**  
Use to remove and replace pivot Bushings on all narrow Bush applications.

**E-20 SOCKET**



**PART NO S-24536**  
Use to install shear type bolt on all models having QUIK-ALIGN® pivot connections, as well as to install the lower shock mount on INTRAAX® and HT250US applications.

For production use the heavy duty 1" socket with sleeve: **PART NO S-25119**

*Information contained in this literature was accurate at the time of publication, Product changes may have been made after the publication date that are not reflected here*



**Torque Specifications**

Use these torque specifications when installing the fasteners covered below

<b>COMPONENT DESCRIPTION</b>	<b>FT-LBS</b>	<b>N•m</b>
QUIK-ALIGN Pivot Connection	505 to 595	685 to 807
Welded Pivot Connection (1 1/8 inches)	750 to 825	1017 to 1119
U-Bolts (HT Series)	475 to 525	644 to 712
Shock Bolts	210 to 235	285 to 319
Upper Air Spring Nuts	80 to 100	108 to 136
Lower Air Spring Nuts (HT Series)	40 to 50	54 to 68
Lower Air Spring Nuts (INTRAAX)	25 to 35	34 to 47
Brake Chamber Mounting Nut (INTRAAX)	100 to 110	136 to 149
S-Cam Support Bearing Mounting Nut (INTRAAX)	35 to 45	47 to 61

<b>COMPONENT DESCRIPTION</b>	<b>IN-LBS</b>	<b>N•m</b>
ABS Bracket Bolt and Nut (INTRAAX)	75 to 100	8 to 11
Dust Shield, Bolt-to-Spider (INTRAAX)	160 to 180	18 to 20
Dust Shield, Clamp-on (INTRAAX)	95 to 170	11 to 19

**Disc Brake Torque Settings**

<b>COMPONENT DESCRIPTION</b>	<b>FT-LBS</b>	<b>N•m</b>
Caliper Bolts M16 x 1.5 – 10.9, 14mm spanner size	210 <sup>+10</sup>	285 <sup>+10</sup>
Actuator Mounting Bolts M16 x 1.5, 24mm spanner size	135 <sup>+10</sup>	180 <sup>+10</sup>
Rotor to Hub Mounting Bolts – Toowoomba Steel Hub	230 <sup>+10</sup>	310 <sup>+10</sup>
Rotor to Hub Mounting Bolts – Conmet Alloy Hub	160 <sup>+10</sup>	220 <sup>+10</sup>

**NOTE:** Torque values are specified for the fasteners in the condition in which they are supplied by Hendrickson. **DO NOT APPLY ANY ADDITIONAL LUBRICANT.**

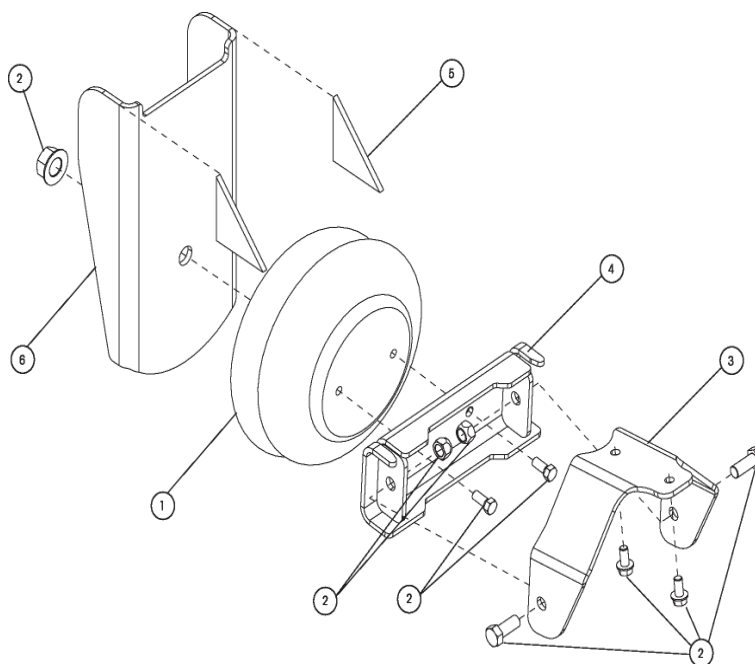
**CAUTION:** Over-torquing could result in fastener failure

*Information contained in this literature was accurate at the time of publication, Product changes may have been made after the publication date that are not reflected here*



**Under Beam Lift (UBL) Service Components AAT/L**

Model	Lift Kit Number
AA230 Topmount	S-24343
AA230 Lowride	S-24657
AANT Topmount	97064-004



Images for illustration purposes only

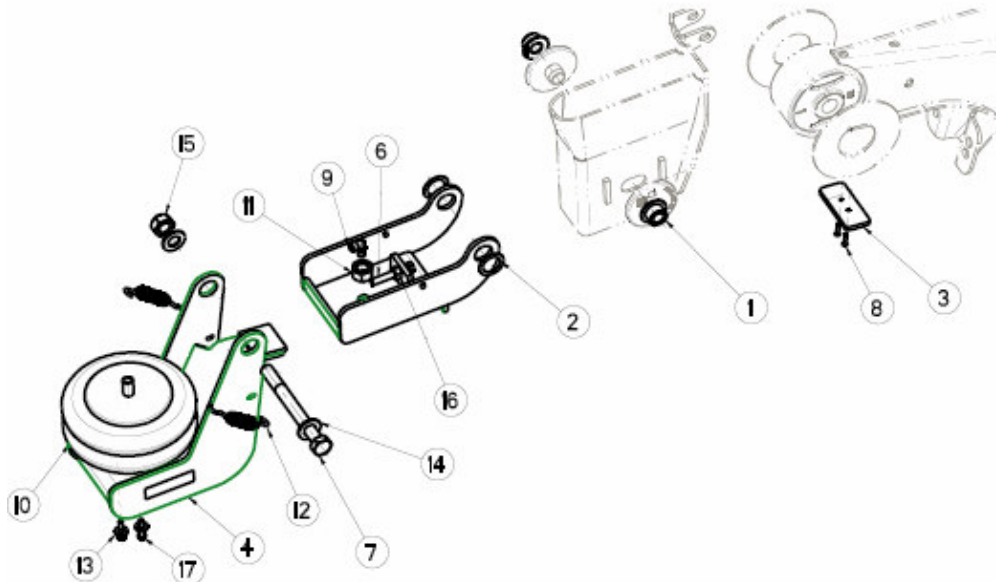
Item	Part No	Description	Qty	Notes
1	S-23114	Air Spring	2	Replaces C-23114
2	S-24614/2	Lift Assembly Bolt Kit	2	Includes bolts (4), screws (2), torque-prevailing hex nut (2) and Spirallock® hex nut 1)
3	S-23299	Lift Bracket	2	For top-mount application
	S-23297	Lift Bracket	2	For lowride application
4	S-23368	Lift Spring Channel Assembly	2	Includes lift spring channel and Plate
5	S-2901-37	Gusset	4	
6	S-23301	Hanger Support Lift Assembly – Top Mount	2	Includes hanger support lift and Plate
	S-24658	Hanger Support Lift Assembly – Low Ride	2	Includes hanger support lift and Plate

Information contained in this literature was accurate at the time of publication, Product changes may have been made after the publication date that are not reflected here





**Under Beam Lift (UBL) Service Components AANT**



Item	Part No	Description	Qty	Notes
1	98429-002	Bush	4	
2	98429-007	Washer	4	
3	98429-008	Plate, Brace	2	
4	98429-014	Bracket Side Lift	2	
5	98429-015	Bracket Side Lift	2	
6	98651-002	Screw	2	
7	98766-006	Bolt 7/8" UNC	2	
8	98841-002	Screw	4	
9	98934-006	Swivel Male Elbow 3/8" Tube x 1/4:" NPT	2	
10	S-23114	Air Spring	2	
11	S-22490-5	Nut, Flange 3/4"	2	
12	B-20693	Spring, Retaining	4	
13	22962-015	Washer 3/8"	4	
14	S-21024	Washer Hardened 7/8"	4	
15	50106-000	Nut Cone Lock	2	
16	58248-000	Nut, Lock	2	
17	SA-1100-2	Bolt Hex 3/8"	4	
	49441-307	Installation Drawing	1	

*Information contained in this literature was accurate at the time of publication, Product changes may have been made after the publication date that are not reflected here*



**Parts Kits – AA230/250**

Item	Page	Part No	Description	Qty per Axle	Kit Content	Qty
3	6	S-24679	Pivot Bolt Kit for QUIK-ALIGN	2	7/8" Flat Washers	2
3	10				7/8" Shear Bolt	1
					7/8" Nut	1
4	6	S-24691	Tri-Functional Bushing Kit	2	7/8" Flat Washers	2
4	10				7/8" Shear Bolt	1
					7/8" Nut	1
					Wear Pad	2
					TFB II Bushing	1
					Lubricant	1
5	6	S-21099-4P	Wear Pad Kit	1	Wear Pad	4
8	6	S-24049	Bolt Kit, Shock Absorber	2	3/4"-3 1/2" Hex Bolt	1
8	8				3/4" Flat Washer	2
8	10				3/4" Nut	1
					3/4" x 5 3/4" Shear Bolt	1
3	8	S-24705	Pivot Bolt Kit for QUIK-ALIGN	2	7/8" Flat Washer	2
					7/8" Shear Bolt	1
					7/8" Nut	1
4	8	S-26321	Tri-Functional Bushing Kit	1	7/8" Flat Washer	4
					7/8" Shear Bolt	2
					7/8" Nut	2
					Wear Pad	4
					TFB III Bushing	2
					Lubricant	2
5	8	S-26807-4P	Wear Pad Kit	1	Wear Pad	4

*Information contained in this literature was accurate at the time of publication, Product changes may have been made after the publication date that are not reflected here*